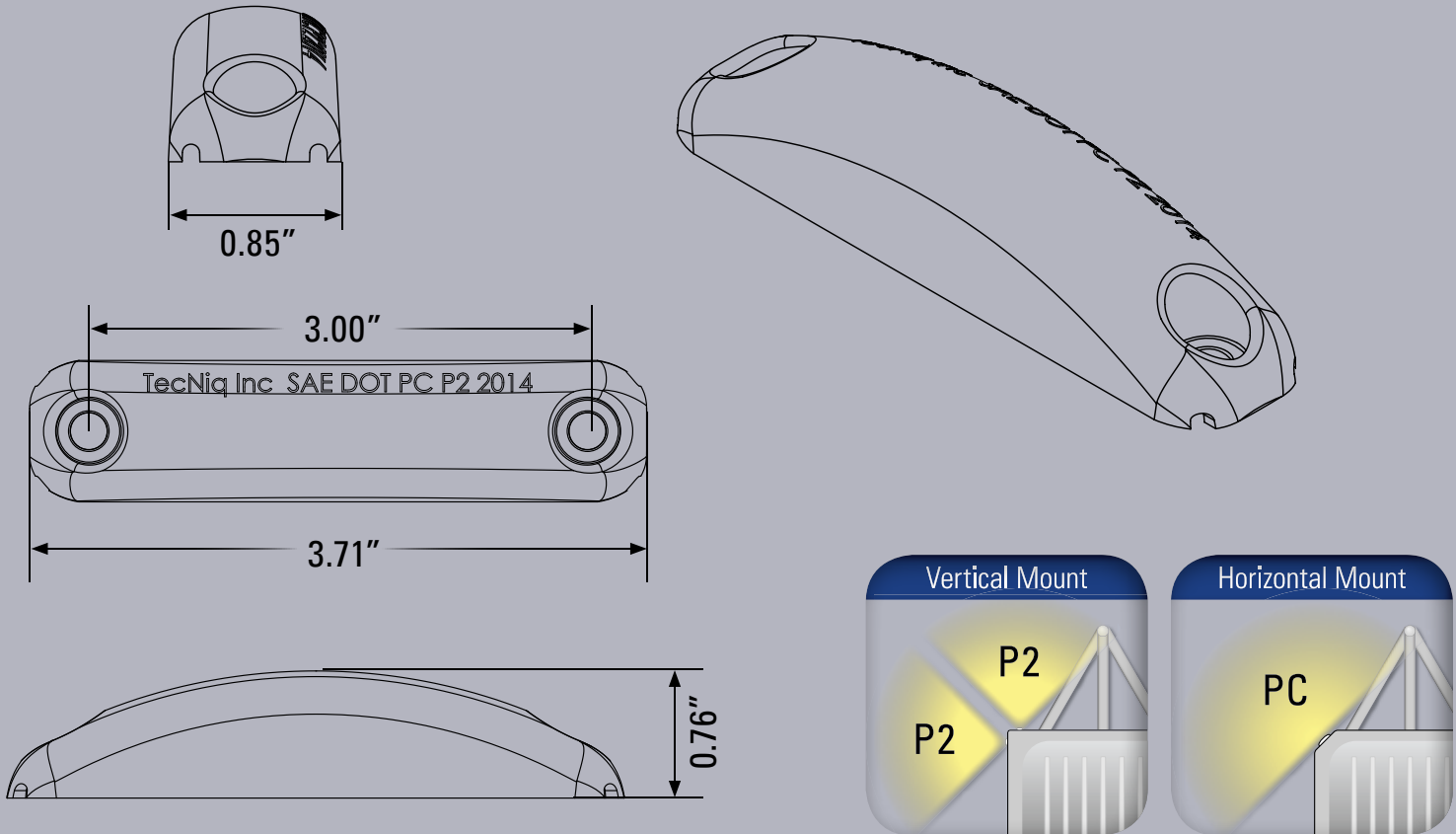




TecNiq's New Sidemarker & Area Light

Introducing our new LED surface mounted marker and area lights. These new lights provide a combination of great design, ease of installation, and long term durability. This new product line is available in red, amber, and clear lens styles.

- Guaranteed to be waterproof
- Fully sealed to protect against moisture and corrosion
- Exceeds FMVSS 108 standards
- Surface mounted for ease of installation – requires one 3/8" wire hole
- Vertical mount position meets P2 specifications, horizontal mount position meets PC specifications.
- White area light model available, using our **AccuColor** LED technology
- Made with premium grade polycarbonate, for high optic quality and impact resistance
- Low amp draw – 0.08 Amps; White – 0.15 Amps
- Designed and manufactured in the USA
- Comes with TecNiq's Industry Leading Lifetime Warranty



Model	LED	Lens	Part Number	Max Amp Draw	Lifespan	Rating	Dimensions
S18 Sidemarker	Red	Red	S18-RR00-1	0.07 A - 0.09 A	100,000 hrs	PC/P2	3.71" x 0.85"
			S18-RRG0-1				
	Amber	Clear	S18-RC00-1				
			S18-RCG0-1				
		Amber	S18-AA00-1				
			S18-AAG0-1				
Clear	S18-AC00-1						
	S18-ACG0-1						
S18 Area Light	White (180 Lumens)	Clear	S18-WC00-1	0.15 A	50,000 hrs	—	

*Available in two wire or one wire self-grounding version

The clear area light comes with three bright white LEDs, projecting 180 lumens of light from the ¾" x 3 ½" footprint.

For more information on the newest addition to TecNiq's industry leading lighting solutions, please contact your local sales representative.